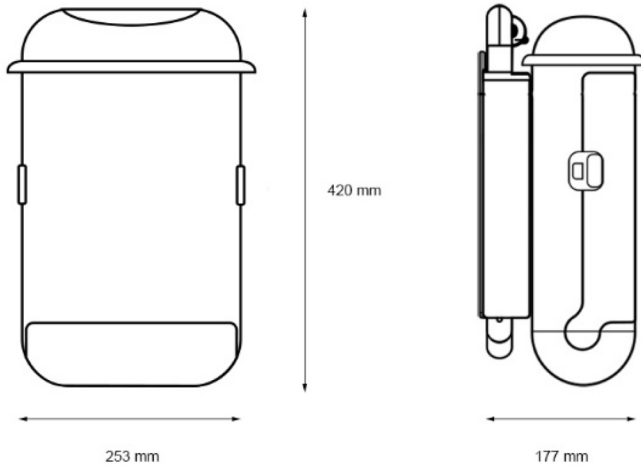


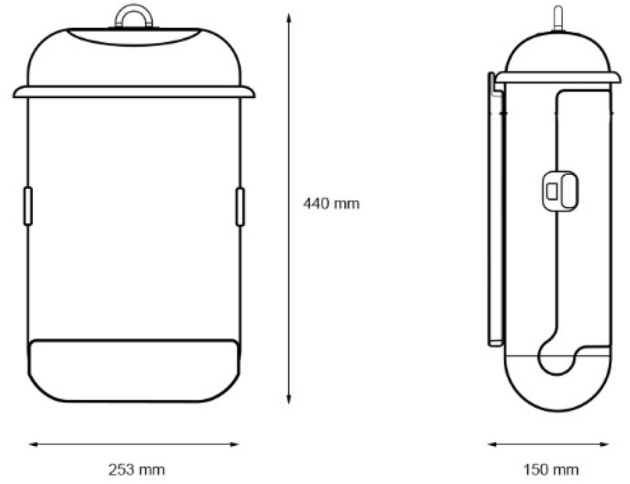
DIMENSIONS AND INSTALLATION SPECIFICATIONS

LadyPod

LadyPod™ auto



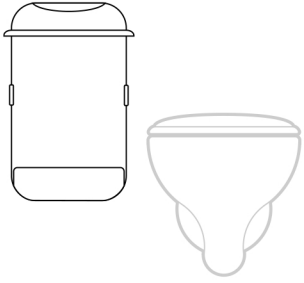
LadyPod™ manual



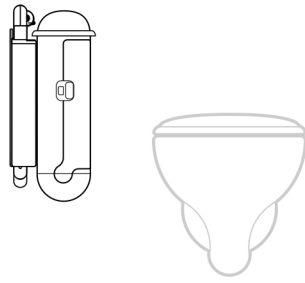
Information

For more information or orders, visit our website www.hyprom.com or contact us at: info@hyprom.ch

LadyPod



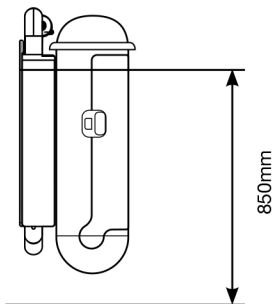
Back wall installation



Side wall installation

LadyPod™ auto

Recommended specifications



Important:

Wall bracket/sensor box wall plate should be positioned at a height of approximately 850mm above floor for best results. Secure into a wall stud. Use wall anchors if a wall stud cannot be located.

LadyPod™ manual

Recommended specifications

